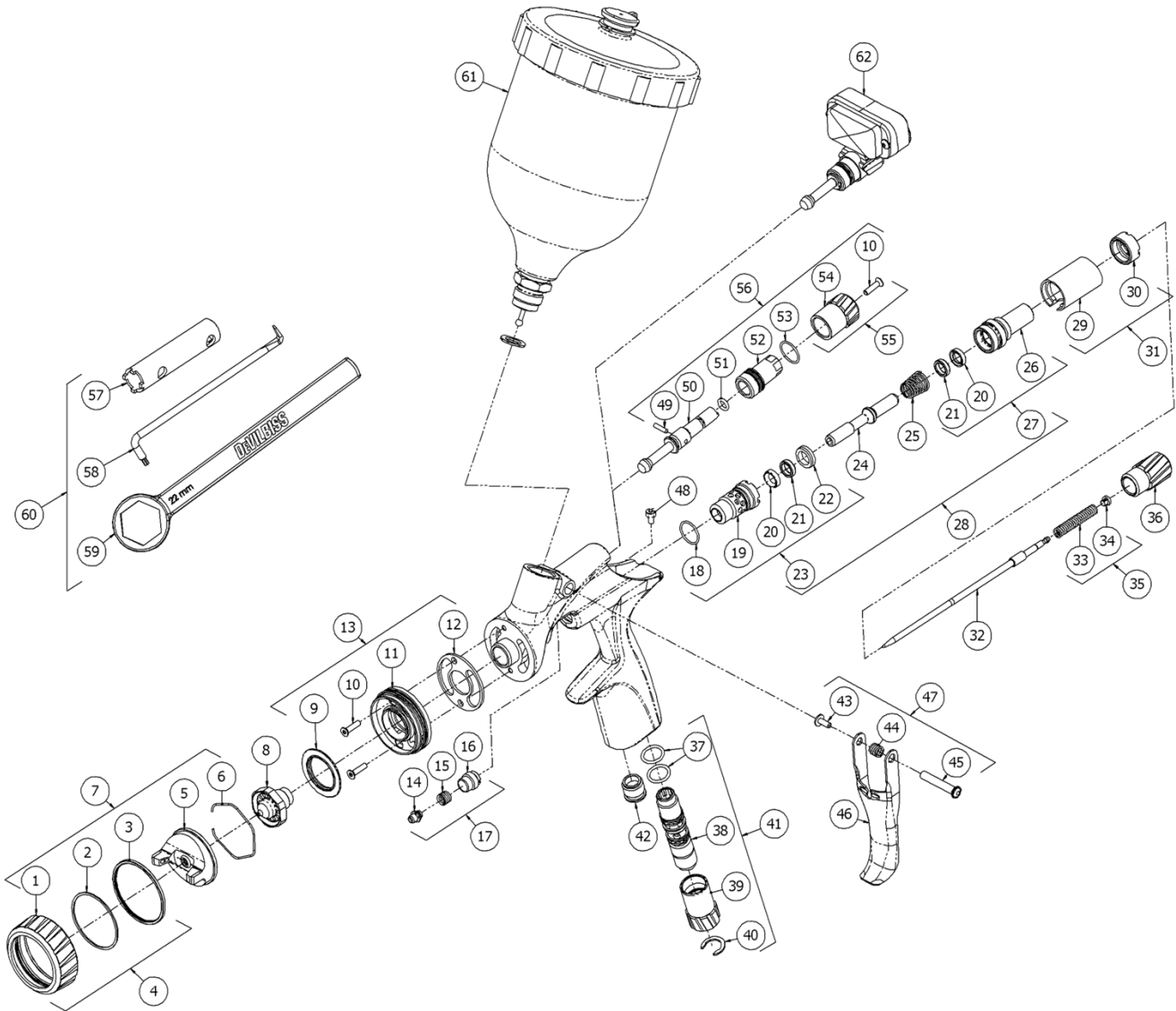


**EXPLODED VIEW**



**PARTS LIST**

REF.	PART No.	DESCRIPTION	QTY.
1	-	RETAINING RING	1
2	-	SLIP RING	1
3	-	RETAINING RING SEAL	1
4	704425	RETAINING RING SUB ASSEMBLY	1
5	-	AIR CAP	1
6	191972	SPRING CLIP (KIT OF 10)	1
7	SEE TABLE 1	AIR CAP & RETAINING RING	1
8	SEE TABLE 3	FLUID TIP	1

**PARTS LIST (Continued)**

REF.	PART No.	DESCRIPTION	QTY.
9	704402	DEFLECTOR PLATE	1
10+	704403	SCREW (KIT OF 3)	3
11	-	SPRAYHEAD	1
12+	704401	GASKET (KIT OF 2)	1
13	704400	SPRAY HEAD KIT	1
14	-	NEEDLE PACKING	1
15	-	PACKING SPRING	1
16	-	PACKING NUT	1
17+	702731	PACKING, SPRING & PACKING NUT KIT	1
18	-	O RING	1
19	-	AIR VALVE CAGE	1
20	-	SEAL	2
21*	-	SEAL GUIDE	2
22*	-	VALVE SEAT	1
23#	704422	FRONT CAGE ASSEMBLY	1
24	-	AIR VALVE STEM	1
25#	-	AIR VALVE SPRING	1
26	-	REAR SEAL HOUSING	1
27	704423	REAR SEAL ASSEMBLY	1
28+	704424	AIR VALVE ASSEMBLY	1
29	-	IDENTIFICATION SLEEVE	1
30	-	SLEEVE NUT	1
31	704428	SLEEVE KIT	1
32	SEE TABLE 3	FLUID NEEDLE	1
33	-	NEEDLE SPRING	1
34	-	SPRING PAD	1
35#+	704405	NEEDLE SPRING KIT	1
36	704404	FLUID ADJUSTING KNOB	1
37	-	O RING	2
38	-	FLOW VALVE BODY	1
39	-	FLOW VALVE KNOB	1
40	-	CIRCLIP	1
41	704417	INLINE FLOW VALVE	1
42	-	PLUG	1
43	-	TRIGGER SCREW	1
44	-	SPRING	1
45	-	TRIGGER STUD	1
46	-	TRIGGER	1
47	704406	TRIGGER, STUD, SPRING & SCREW KIT	1

**PARTS LIST (Continued)**

REF.	PART No.	DESCRIPTION	QTY.
48	-	SCREW	1
49#+	-	SPREADER VALVE PIN	1
50	-	SPREADER VALVE STEM	1
51#+	-	O RING	1
52	-	VALVE BODY	1
53#+	-	O RING	1
54	-	SPREADER VALVE ADJUSTING KNOB	1
55	704419	SPREADER KNOB KIT (Not For Use With Digital Gauge)	1
56	704418	SPREADER VALVE ASSEMBLY	1
57	-	VALVE TOOL	1
58	-	TORX DRIVER	1
59	-	TIP WRENCH	1
60	704429	TOOL KIT	1

\* NOT REPLACEABLE

**CUPS AND GAUGES**

61	GFC-515	GRAVITY CUP PLASTIC	
	702576	GRAVITY CUP ALUMINIUM	
62	704426	ATEX APPROVED (EU)	DIGITAL PRESSURE GAUGE
	704427	FM APPROVED (US, CANADA)	

**SERVICE PARTS**

704430	MINOR SERVICE KIT	INCLUDES ITEMS MARKED #
704431	MAJOR SERVICE KIT	INCLUDES ITEMS MARKED +

**WARNING**

The spray gun must be earthed to dissipate any electrostatic charges which may be created by fluid or air flows. This can be achieved through the spray gun mounting, or conductive air/fluid hoses. Electrical bond from the spray gun to earth should be checked and a resistance of less than  $10^6$  Ohms is required.

## DV1

## PART SELECTION GUIDE

TABLE 1

## DV1 AIR CAP PERFORMANCE GUIDE

Part Number	Air Cap & Type		Recommended Air Inlet Pressure (with gun fully triggered)		Air Consumption	Typical Fan Pattern Size**
			At Gun Handle	At Digital Gauge		
704407	DV1-B	HVLP	2.0 bar [29 psi]	1.0 bar [15 psi]	400 L/min [14.1 scfm]	330 mm [13 in]
704408	DV1-B+	HVLP	2.0 bar [29 psi]	1.5 bar [22 psi]	300 L/min [10.5 scfm]	325 mm [12.8 in]

\*\* Fan pattern size @ 200mm [8"] distance.

TABLE 2

## DV1 AIR CAP TEST KITS

Part Number	Air Cap & Type		Recommended Air Inlet Pressure (with gun fully triggered)		Atomisation Pressure
			At Gun Handle	At Digital Gauge	
704432	DV1-B	HVLP	2.0 bar [29 psi]	1.0 bar [15 psi]	0.54 bar [8 psi]
704433	DV1-B+	HVLP	2.0 bar [29 psi]	1.5 bar [22 psi]	0.56 bar [8 psi]

TABLE 3

## DV1 FLUID TIPS &amp; NEEDLES

Fluid Tip			Needle	
Part Number	Fluid Tip Size	Marking	Part Number	Marking
704409	0.9	DV1-0.9 B	704416	DV1-300
704410	1.0	DV1-1.0 B		
704411	1.1	DV1-1.1 B		
704412	1.2	DV1-1.2 B		
704413	1.3	DV1-1.3 B		
704414	1.4	DV1-1.4 B		
704415	1.5	DV1-1.5 B		