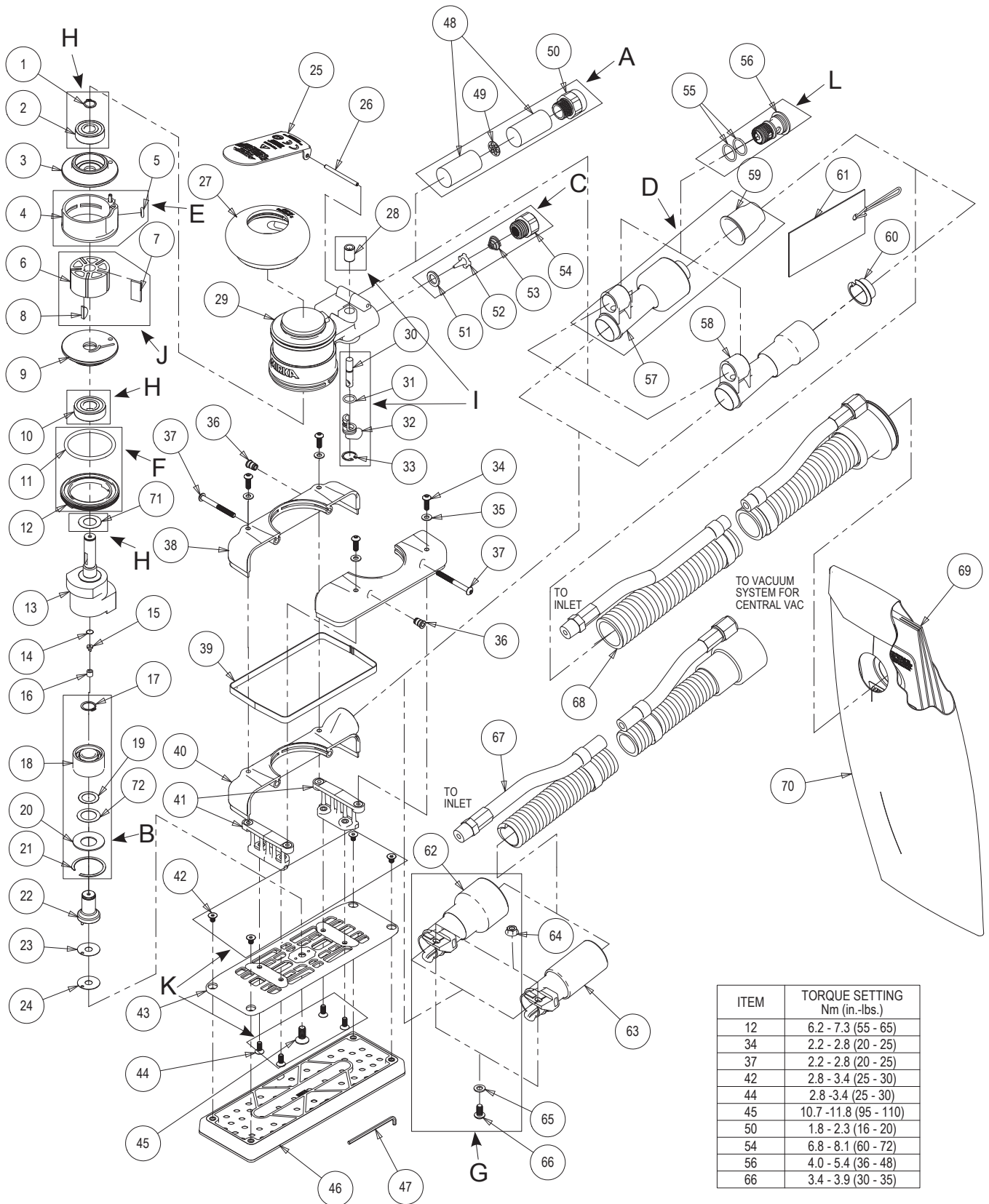


# Exploded view of OS 383, 70 x 198 mm

Updated 01.12.2016



## OS 383, 70x198 mm Kits

| Mirka code        | Item Description   | Kit      | Part No | QTY     |
|-------------------|--|----------|---------|---------|
| <b>8993017211</b> | <b>Muffler Kit 10 000 rpm</b>  |          | MPA0805 |         |
|                   | 48 Muffler   | <b>A</b> | MPA0032 | 2       |
|                   | 49 Plate   |          | MPA0038 | 1       |
|                   | 50 Muffler Housing   |          | MPA0166 | 1       |
| <b>8993019711</b> | <b>ROS/OS Spindle Bearing Kit</b>  |          |         | MPA0802 |
|                   | 17 Retaining Ring  |          | MPA0090 | 1       |
|                   | 18 Double Row Bearing  |          | MPA0938 | 1       |
|                   | 19 Spacer  | <b>B</b> | MPA0016 | 1       |
|                   | 20 Washer  |          | MPA0017 | 1       |
|                   | 21 Retaining Ring  |          | MPA0018 | 1       |
|                   | 72 Spindle Bearing Dust Shield   |          | MPA2542 | 1       |
| <b>8993018811</b> | <b>Air Inlet Kit</b>   |          | MPA0798 |         |
|                   | 51 Valve Seat  |          | MPA0009 | 1       |
|                   | 52 Valve   | <b>C</b> | MPA0007 | 1       |
|                   | 53 Valve Spring  |          | MPA0014 | 1       |
|                   | 54 1/4-18 Npt Inlet Bushing Assembly   |          | MPA0013 | 1       |
| <b>8993011311</b> | <b>Swivel Fitting Kit DB 28 mm Kit</b>                                       |          |         | MPA0932 |
|                   | 57 28 mm (1 In.) Hose Supervac™ DB Swivel Exhaust Assembly (Standard For DB) | <b>D</b> | MPA0410 | 1       |
|                   | 59 28mm (1 In.) Hose Seal  |          | MPA0778 | 1       |
| <b>8993009211</b> | <b>Cylinder+O-Ring Kit MPA0994</b>   |          | MPA0994 |         |
|                   | 4 5 mm x 2.0 mm O-Ring   | <b>E</b> | MPA0042 | 1       |
|                   | 5 Cylinder Assembly  |          | MPA0005 | 1       |
| <b>8993007911</b> | <b>Lock Ring And O-Ring Kit</b>  |          | MPA0993 |         |
|                   | 11 39.4 mm x 3.1 mm O-Ring   | <b>F</b> | MPA0045 | 1       |
|                   | 12 Lock Ring   |          | MPA0001 | 1       |
| <b>8991600311</b> | <b>Swivel Fitting Kit CV 28 mm</b>   |          | MPA3207 |         |
|                   | 62 Supervac™ CV 28 mm (1 In.) CV Swivel Exhaust                              |          | MPA0092 | 1       |
|                   | 64 M5 x 0.8 Flanged Nut  | <b>G</b> | MPA0048 | 1       |
|                   | 65 M5 Washer   |          | MPA0047 | 1       |
|                   | 66 Hex Socket Button Head Machine Screw M5 x 10                              |          | MPA0769 | 1       |
| <b>8993019811</b> | <b>Endplate Bearing Kit</b>  |          |         | MPA0799 |
|                   | 1 External Retaining Ring  |          | MPA0040 | 1       |
|                   | 2 10 x 26 x 8 Bearing - 2 Shields  | <b>H</b> | MPA0021 | 1       |
|                   | 10 12 x 28 x 8 Bearing - 2 Shields   |          | MPA0019 | 1       |
|                   | 71 Front Bearing Dust Shield   |          | MPA2541 | 1       |
| <b>8993019011</b> | <b>Speed Valve Kit</b>   |          |         | MPA0800 |
|                   | 28 Valve Sleeve  |          | MPA0015 | 1       |
|                   | 30 Valve Stem Assembly   | <b>I</b> | MPA0008 | 1       |
|                   | 31 9 mm x 1.5 mm O-Ring  |          | MPA0043 | 1       |
|                   | 32 Speed Control   |          | MPB0014 | 1       |
|                   | 33 Internal Retaining Ring   |          | MPA0039 | 1       |
| <b>8993017711</b> | <b>Rotor, Vanes And Key Kit</b>  |          |         | MPA0801 |
|                   | 6 Rotor  | <b>J</b> | MPB0005 | 1       |
|                   | 7 Vane   |          | MPA0010 | 5       |
|                   | 8 3 mm x 13 mm Woodruff Key  |          | MPA0041 | 1       |

## OS 383, 70x198 mm Kits

| Mirka code        | Item Description   | Kit      | Part No | QTY  |
|-------------------|--|----------|---------|------|
| <b>8993015511</b> | <b>Screw Kit</b>   |          | MPA1672 |      |
|                   | 42 Screws  | <b>K</b> | MPA0766 | 4    |
|                   | 44 Screws  |          | MPA0767 | 4    |
|                   | 45 Screw   |          | MPA0078 | 1    |
|                   |  |          |         |      |
| <b>8991600911</b> | <b>Retainer &amp; O-Ring Kit For DB</b>                                      |          | MPA2697 |      |
|                   | 55 14.0 x 1.5 O-Ring   | <b>L</b> | MPA0044 | 2    |
|                   | 56 10 00 Rpm Retainer DB   |          | MPA0722 | 1    |
| <b>8991610711</b> | <b>Lever Kit 3,0 mm Orbit</b>  |          | MPA1730 |      |
|                   | 25 Lever   | <b>x</b> | MPA1697 | 1    |
|                   | 26 Pin   |          | MPA0031 | 1    |
| 8991521311        | Shaft Balancer Kit   |          | MPB0531 |      |
|                   | 13 3 mm (1/8 In.) Orbit Airshield™ Shaft Balancer                            | <b>x</b> | MPB0531 | 1    |
|                   | 14 Filter  |          | MPA0122 | 1    |
|                   | 15 Check Valve   |          | MPA0121 | 1    |
|                   | 16 Retainer  |          | MPA0120 | 1    |
| 8993011411        | Swivel Fitting Kit DB 19 mm  |          | MPA0858 | OPT. |
|                   | 58 19 mm (¾ In.) Hose Supervac™ DB Swivel Exhaust Assembly (Optional For DB) | <b>x</b> | MPA0409 | 1    |
|                   | 60 19mm (¾ In.) Hose Seal  |          | MPA0854 | 1    |

Separate parts on next page

## OS 383, 70x198 mm Spare parts

| Mirka code        | Item      | Description                                    | Kit | Part No | QTY  |
|-------------------|-----------|--|-----|---------|------|
|                   | 1         | External Retaining Ring                        | H   | MPA0040 | 1    |
|                   | 2         | 10 x 26 x 8 Bearing - 2 Shields                | H   | MPA0021 | 1    |
| <b>8993009311</b> | <b>3</b>  | <b>Rear Endplate</b>                           |     | MPB0017 | 1    |
|                   | 4         | 5 mm x 2.0 mm O-Ring                           | E   | MPA0042 | 1    |
|                   | 5         | Cylinder Assembly                              | E   | MPA0005 | 1    |
|                   | 6         | Rotor  | J   | MPB0005 | 1    |
|                   | 7         | Vane   | J   | MPA0010 | 5    |
|                   | 8         | 3 mm x 13 mm Woodruff Key                      | J   | MPA0041 | 1    |
| <b>8993009411</b> | <b>9</b>  | <b>Front Endplate</b>                          |     | MPB0016 | 1    |
|                   | 10        | 12 x 28 x 8 Bearing - 2 Shields                | H   | MPA0019 | 1    |
|                   | 11        | 39.4 mm x 3.1 mm O-Ring                        | F   | MPA0045 | 1    |
|                   | 12        | Lock Ring                                      | F   | MPA0001 | 1    |
|                   | 13        | 3 mm (1/8 In.) Orbit Airshield™ Shaft Balancer | x   | MPB0531 | 1    |
|                   | 14        | Filter   | x   | MPA0122 | 1    |
|                   | 15        | Check Valve                                    | x   | MPA0121 | 1    |
|                   | 16        | Retainer                                       | x   | MPA0120 | 1    |
|                   | 17        | Retaining Ring                                 | B   | MPA0090 | 1    |
|                   | 18        | Double Row Bearing                             | B   | MPA0938 | 1    |
|                   | 19        | Spacer   | B   | MPA0016 | 1    |
|                   | 20        | Washer   | B   | MPA0017 | 1    |
|                   | 21        | Retaining Ring                                 | B   | MPA0018 | 1    |
| 8991802411        | 22        | Spindle Assembly                               |     | MPA0113 | 1    |
|                   | 23        | Spacer (0,2 mm thick)                          |     | MPA0079 | OPT. |
| 8991601011        | 24        | Spacer (0,4 mm thick)                          |     | MPA0080 | 1    |
|                   | 25        | Lever  | x   | MPA1697 | 1    |
|                   | 26        | Pin  | x   | MPA0031 | 1    |
| 8993013811        | 27        | 65 mm (2 1/2 In.) Grip (Optional)              |     | MPA0288 | OPT. |
|                   | 27        | 70 mm (2 3/4 In.) Grip (Optional)              |     | MPA0289 | OPT. |
| 8993013511        | 27        | 75 mm (3 In.) Grip (Standard))                 |     | MPA0290 | 1    |
|                   | 28        | Valve Sleeve                                   | I   | MPA0015 | 1    |
| <b>8993006811</b> | <b>29</b> | <b>Housing</b>                                 |     | MPA0227 | 1    |
|                   | 30        | Valve Stem Assembly                            | I   | MPA0008 | 1    |
|                   | 31        | 9 mm x 1.5 mm O-Ring                           | I   | MPA0043 | 1    |
|                   | 32        | Speed Control                                  | I   | MPB0014 | 1    |
|                   | 33        | Internal Retaining Ring                        | I   | MPA0039 | 1    |
| 8991800911        | 34        | Screws   |     | MPA0768 | 4    |
| 8991800411        | 35        | Washer   |     | MPA0076 | 4    |
| 8991800511        | 36        | Threaded Insert                                |     | MPA0071 | 2    |
| 8991800611        | 37        | Screws   |     | MPA0770 | 2    |
| 8991503811        | 38        | Shroud (Right Hand And Nv Left Hand)           |     | MPD0051 | 2    |
| 8991503911        | 39        | Shroud Seal                                    |     | MPA0169 | 1    |
| 8991504011        | 40        | CV/DB Shroud                                   |     | MPD0052 | 1    |

## OS 383, 70x198 mm Spare parts

| Mirka code        | Item Description  | Kit      | Part No | QTY  |
|-------------------|---|----------|---------|------|
| 8991504111        | 41 Pad Support Assembly   |          | MPC0230 | 2    |
|                   | 42 Screws   | <b>K</b> | MPA0766 | 4    |
| 8991504311        | 43 Pad Backing  |          | MPB0534 | 1    |
|                   | 44 Screws   | <b>K</b> | MPA0767 | 4    |
|                   | 45 Screw  | <b>K</b> | MPA0078 | 1    |
| <b>8295380111</b> | <b>46 Backing Pad 70x198mm Grip 56H</b>   |          |         | 1    |
| 8991608011        | 47 Hex Wrench 2.5 mm (Supplied With Each Tool)  |          | MPA0864 | 1    |
|                   | 48 Muffler  | <b>A</b> | MPA0032 | 2    |
|                   | 49 Plate  | <b>A</b> | MPA0038 | 1    |
|                   | 50 Muffler Housing  | <b>A</b> | MPA0166 | 1    |
|                   | 51 Valve Seat   | <b>C</b> | MPA0009 | 1    |
|                   | 52 Valve  | <b>C</b> | MPA0007 | 1    |
|                   | 53 Valve Spring   | <b>C</b> | MPA0014 | 1    |
|                   | 54 1/4-18 Npt Inlet Bushing Assembly  | <b>C</b> | MPA0013 | 1    |
| 8991600911        | 55 14.0 x 1.5 O-Ring  | <b>L</b> | MPA0044 | 2    |
|                   | 56 10 00 Rpm Retainer DB  | <b>L</b> | MPA0722 | 1    |
|                   | 57 28 mm (1 In.) Hose Supervac™ DB Swivel Exhaust Assembly (Standard For DB))   | <b>D</b> | MPA0410 | 1    |
|                   | 59 28mm (1 In.) Hose Seal   | <b>D</b> | MPA0778 | 1    |
|                   | 58 19 mm (¾ In.) Hose Supervac™ DB Swivel Exhaust Assembly (Optional For DB)  | <b>x</b> | MPA0409 | 1    |
|                   | 60 19mm (¾ In.) Hose Seal   | <b>x</b> | MPA0854 | 1    |
|                   | 61 19mm (¾ In.) Hose Seal Tag   |          | MPA0856 | OPT. |
|                   | 61 28mm (1 In.) Hose Seal Tag   |          | MPA0931 | 1    |
| <b>8991600311</b> | <b>62 Supervac™ CV 28 mm (1 In.) CV Swivel Exhaust</b>  | <b>G</b> | MPA0092 | 1    |
|                   | 64 M5 x 0.8 Flanged Nut   | <b>G</b> | MPA0048 | 1    |
|                   | 65 M5 Washer  | <b>G</b> | MPA0047 | 1    |
|                   | 66 Hex Socket Button Head Machine Screw M5 x 10   | <b>G</b> | MPA0769 | 1    |
| <b>8991600211</b> | <b>63 Supervac™ CV 19 mm (¾ In.) CV Swivel Exhaust Assembly</b>   |          | MPA1239 | OPT. |
| 8993306711        | 67 Ø 19 mm (¾ In.) VAC hose to Ø 19 mm (¾ In.) x Ø 28 mm (1 In.) hose adapter coupling and airline assembly includes: MPA0200 Ø 19 mm (¾ In.) x 1.5 m (5 Ft.) Vacuum hose, MPB0088 19 mm (¾ In.) Hose x 28 mm (1 In.) Hose Adapter, MPA0302 Ø 6.3 mm (¼ In.) x 1.5 m (5 Ft.) Airline with fittings, MPA0301 bungee for Ø 6.3 mm (¼ In.) Airline & Ø 19 mm (¾ In.) Vacuum hose (5) |          | MPA0300 | OPT. |
| <b>8993006711</b> | <b>68</b> Ø 28 mm (1 In.) VAC hose To Ø 28 mm (1 In.) Double bag fitting and airline assy. (Std for DB) Incl.: MPA0034 Ø 28 mm (1 In) x 1.8 m (6 Ft) Vacuum hose, MPB0123 Ø 28 mm (1 In) hose to double bag vacuum fitting, MPA0033 Ø 6.3 mm (¼ In) x 1.8 m (6 Ft) Airline with fittings, MPA0027 bungee For Ø 6.3 mm (¼ In.) Airline & Ø 28 mm (1 In.) Vacuum hose (5)           |          | MPA0412 | 1    |
| 8993041111        | Ø 19 mm (¾ In.) VAC hose to Ø 19 mm (¾ In.) Double bag fitting and airline assembly (Opt. for DB) Incl.: MPA0200 Ø 19 mm (¾ In) x 1.5 M (5 Ft) Vacuum hose, MPB0133 Ø 19 mm (¾ In) Hose to double bag vacuum fitting, MPA0302 Ø 6.3 mm (¼ In) x 1.5 m (5 Ft) airline with fittings, MPA0301 Bungee For Ø 6.3 mm (¼ In) Airline & Ø 19 mm (¾ In) Vacuum Hose (5)                   |          | MPA0411 | OPT. |
| <b>8993206511</b> | <b>69 Dustbag Paper</b>   |          | MPA0465 | 1    |
| <b>8993206011</b> | <b>70 Dustbag Nylon</b>   |          | MPA0658 | 1    |
|                   | 71 Front Bearing Dust Shield  | <b>H</b> | MPA2541 | 1    |
|                   | 72 Spindle Bearing Dust Shield  | <b>B</b> | MPA2542 | 1    |