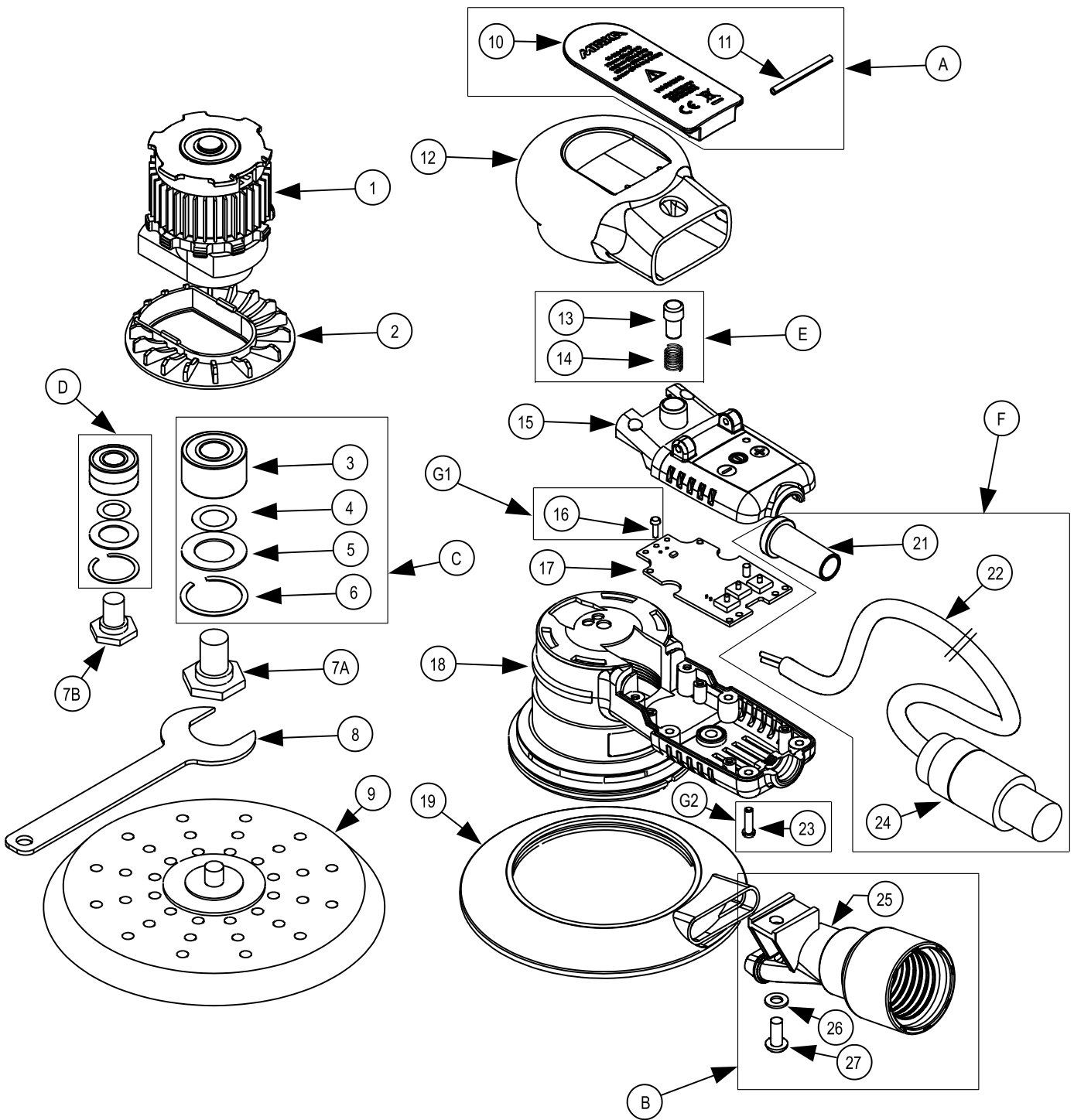


Exploded view of CEROS 77 mm, 125 mm & 150 mm

Updated 01.02.2016



CEROS 77 mm, 125 mm and 150 mm Kits

Electrical tool must be serviced by a qualified repair person and in accordance with national requirements.

Note! Repairs done by non-authorized repairer will breach the Mirka warranty

| Mirka code | Item | Description | Kit | QTY |
|-------------------|--------------------|---------------------------------------|----------|-----|
| MIN6221011 | | Lever kit Orbit 2,5 mm | | |
| | 10 | Lever | A | 1 |
| | 11 | Pin | | 1 |
| MIN6521011 | | Lever kit Orbit 5 mm | | 1 |
| | 10 | Lever | A | 1 |
| | 11 | Pin | | 1 |
| MIN6519011 | | CV Exhaust Fitting Kit 28 mm | | |
| | 25 | 28mm swivel exhaust assembly | B | 1 |
| | 26 | Washer | | 1 |
| 27 | Exhaust pipe screw | 1 | | |
| 8993019711 | | Spindle bearing kit 125/150 mm | | |
| | 3 | Double row bearing | C | 1 |
| | 4 | Spacer | | 1 |
| | 5 | Washer | | 1 |
| 6 | Retaining ring | 1 | | |
| 8993019611 | | Spindle bearing kit 77 mm | | |
| | 3 | Double row bearing | D | 1 |
| | 4 | Spacer | | 1 |
| | 5 | Washer | | 1 |
| 6 | Retaining ring | 1 | | |
| MIN6521311 | | Start Button Kit | | |
| | 13 | Start button | E | 1 |
| | 14 | Start button spring | | 1 |
| | Magnet | 1 | | |
| MIN6522211 | | DC Cable kit 4 m | | |
| | 21 | Cable support | F | 1 |
| | 22 | DC cable 4m | | 1 |
| 24 | DC connector | 1 | | |
| MIN6522311 | | Screw Kit | G | |
| | 16 | PCB screws | G1 | 4 |
| | 23 | Housing screws | G2 | 6 |

Separate parts on next page

CEROS 77 mm, 125 mm and 150 mm Spare parts

| Mirka code | Item | Description | Kit |
|------------|------|------------------------------|------|
| MIN6210111 | 1 | Motor assembly 150mm/2,5mm | |
| MIN6510111 | 1 | Motor assembly 150mm/5mm | |
| MIN5510111 | 1 | Motor assembly 125mm/5mm | |
| MIN3210111 | 1 | Motor assembly 77mm/2,5mm | |
| MIN6210211 | 2 | Fan 150mm/2,5mm | |
| MIN6510211 | 2 | Fan 150mm/5mm | |
| MIN5510211 | 2 | Fan 125mm/5mm | |
| MIN3210211 | 2 | Fan 77mm/2,5mm | |
| | 3 | Double row bearing | C, D |
| | 4 | Spacer | C, D |
| | 5 | Washer | C, D |
| | 6 | Retaining ring | C, D |
| 8993011611 | 7A | Spindle 125/150mm | |
| 8993015011 | 7B | Spindle 77mm | |
| 8995604121 | 8 | 24mm Pad wrench 125/150mm | |
| 8993008012 | 8 | 17mm Pad wrench 77mm | |
| 8295692111 | 9 | 150mm Net Sanding Pad | |
| 8295592111 | 9 | 125mm Net Sanding Pad | |
| 8294791211 | 9 | 77mm Net Sanding Pad | |
| | 10 | Lever | A |
| | 11 | Pin | A |
| MIN6511211 | 12 | Grip | |
| | 13 | Start button | E |
| | 14 | Start button spring | E |
| | | Magnet | |
| MIN6511511 | 15 | Cover plate | |
| | 16 | PCB screws, 4 pcs | G1 |
| MIN6511711 | 17 | Speed controller | |
| MIN6511811 | 18 | Housing | |
| MIN6511911 | 19 | Shroud 150mm | |
| MIN6515911 | 19 | Shroud 125mm | |
| MIN3211911 | 19 | Shroud 77mm | |
| | 21 | Cable support | F |
| | 22 | DC cable 4m | F |
| | 24 | DC connector | F |
| MIN6512411 | 24 | DC connector | |
| | 23 | Housing screws, 6 pcs | G2 |
| | 25 | 28mm swivel exhaust assembly | B |
| | 26 | Washer | B |
| | 27 | Exhaust pipe screw | B |