

Model:

18055 - 2,400 RPM

18056 - 3,200 RPM

18058 - Buffer/Sander Kit

3" Finesse Buffer

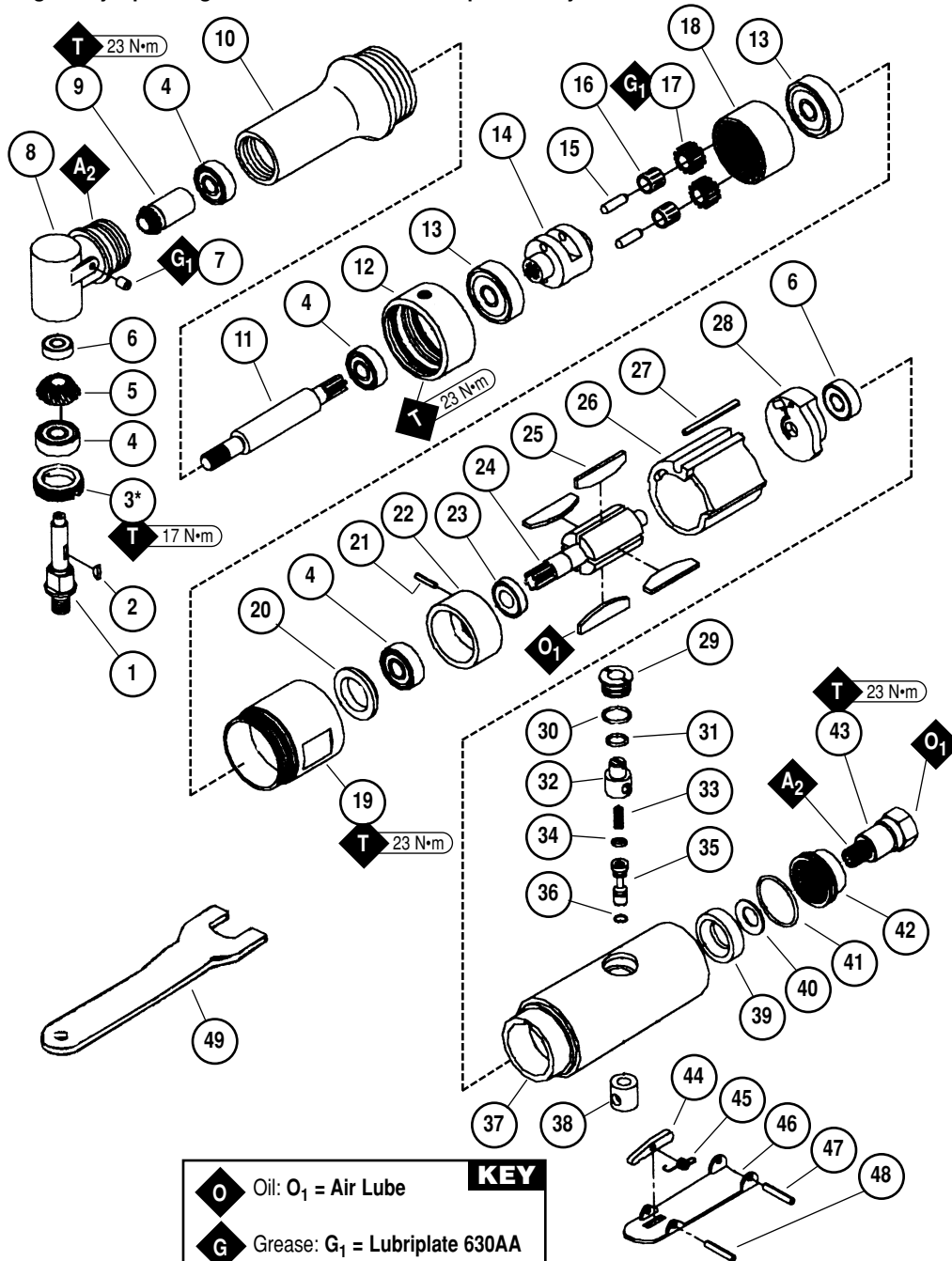
Air Motor and Machine Parts

⚠ WARNING

Always operate, inspect and maintain this tool in accordance with the Safety Code for portable air tools (ANSI B186.1) and any other applicable safety codes and regulations. Please refer to Dynabrade's Warning/Safety Operating Instructions for more complete safety information.

Index Key

No.	Part #	Description
1	18748	Spindle
2	18443	Key
3	18441	Clamp Nut
4	18428	Ball Bearing (4)
5	18442	Bevel Gear - 2,400 RPM
	18267	Bevel Gear - 3,200 RPM
6	18421	Ball Bearing (2)
7	18447	Grease Fitting
8	18747	Angle Head Housing
9	18445	Pinion - 2,400 RPM
	18268	Pinion - 3,200 RPM
10	18745	Socket
11	18746	Transmission Shaft
12	18744	Coupling
13	18741	Ball Bearing (2)
14	18742	Gear Complete
15	18743	Pin (2)
16	18738	Needle Bearing (2)
17	18737	Pinion Gear (2)
18	18736	Annular Gear
19	18740	Housing Lock Ring
20	18438	Rubber Gasket
21	18436	Pin
22	18427	Front End Plate
23	18429	Rotor Spacer
24	18739	Rotor
25	18426	Rotor Blade (4/pkg.)
26	18424	Cylinder
27	18423	Cylinder Pin
28	18422	Rear End Plate
29	18420	Valve Screw
30	18419	O-Ring
31	18418	O-Ring
32	18417	Regulator
33	18416	Valve Spring
34	18415	O-Ring
35	18413	Valve Stem
36	18414	O-Ring
37	18400	Motor Housing
38	18412	Valve Bushing
39	18401	Silencer
40	18402	Washer
41	18403	O-Ring
42	18404	Deflector
43	18405	Air Inlet
44	18411	Stop Rod
45	18410	Safety Lever Spring
46	18408	Throttle Lever
47	18407	Lever Pin
48	18409	Spring Pin
49	18749	Spanner Wrench



KEY

- O** Oil: O₁ = Air Lube
- G** Grease: G₁ = Lubriplate 630AA
- A** Adhesive: A₂ = Loctite #271
- T** Torque: N•m x 8.85 = In. - lbs.

* Part Involves Left Hand Threads.

See reverse side for Important Operating, Maintenance and Safety Instructions.

Autobrade Red Important Operating, Maintenance and Safety Instructions

Carefully read all instructions before operating or servicing any Dynabrade® Abrasive Power Tool.

Warning: Hand, wrist and arm injury may result from repetitive work motion and overexposure to vibration.

Important: All Dynabrade air tools must be used with a Filter-Regulator-Lubricator to maintain all warranties.

Operating Instructions:

Warning: Eye, face, respiratory, sound, and body protection must be worn while operating power tools. Failure to do so may result in serious injury or death. Follow safety procedures posted in workplace.

1. With air supply disconnected from tool, securely fasten abrasive/accessory on tool.
2. Install air fitting into inlet bushing of tool. **Important:** Secure inlet bushing of tool with a wrench before attempting to install the air fitting to avoid damaging valve body housing.
3. Connect air supply to tool. Be careful not to depress throttle lever in the process.
4. Check tool speed with tachometer. If tool is operating at a higher speed than the RPM marked on the tool or operating improperly, the tool should be serviced to correct the cause before use.

Maintenance Instructions:

1. Check tool speed regularly with a tachometer. If tool is operating at a higher speed than the RPM marked on the tool, the tool should be serviced to correct the cause before use.
2. Some silencers on air tools may clog with use. Clean and replace as required.
3. All Dynabrade air motors should be lubricated. Dynabrade recommends one drop of air lube per minute for each 10 SCFM (example: if the tool specifications state 40 SCFM, set the drip rate of your filter-lubricator at 4 drops per minute). Dynabrade Air Lube (P/N **95842**: 1 pt. 473 ml.) is recommended.
4. All Dynabrade geared motors should be greased. Dynabrade recommends greasing this tool every 50 hours of use.
5. An Air Line Filter-Regulator-Lubricator must be used with this air tool to maintain all warranties. Dynabrade recommends the following: **10681** Air Line Filter-Regulator-Lubricator — Provides accurate air pressure regulation, two-stage filtration of water contaminants and micro-mist lubrication of pneumatic components.
6. Use only genuine Dynabrade replacement parts. To reorder replacement parts, specify the **Model #**, **Serial #**, and **RPM** of your machine.
7. Mineral spirits are recommended when cleaning the tool and parts. Do not clean tool or parts with any solvents or oils containing acids, esters, ketones, chlorinated hydrocarbons or nitro carbons.

Safety Instructions:

Products offered by Dynabrade should not be converted or otherwise altered from original design without expressed written consent from Dynabrade, Inc.



- **Important:** User of tool is responsible for following accepted safety codes such as those published by the American National Standards Institute (ANSI).
- Operate machine for one minute before application to workpiece to determine if machine is working properly and safely before work begins.
- Always disconnect power supply before changing abrasive/accessory or making machine adjustments.
- Inspect abrasives/accessories for damage or defects prior to installation on tools.
- **Warning:** Hand, wrist and arm injury may result from repetitive work, motion and overexposure to vibration.

Autobrade Red Tool Warranty

Following the reasonable assumption that any inherent defect which might prevail in a product will become apparent to the user within **1 year** from the date of purchase, "Autobrade Red" tools are warranted against defects in workmanship and materials under normal use and service.

We shall, at our option, repair or replace at our factory, any "Autobrade Red" tool which shall, within 1 year after delivery to the original purchaser, indicate upon our examination to have been defective.

Our obligation is contingent upon proper use of "Autobrade Red" tools in accordance with factory recommendations, instructions and practices.

The warranty shall not apply in these cases:

1. Normally wearable parts such as bearings, rotor blades, etc.
2. Consumables such as erasing pads, etc.
3. Misuse, neglect in maintaining tool or tool modification.
4. Lack of lubrication or evidence of rust, dirt or corrosion.
5. Tools requiring normal tune-up or cleaning.
6. Tools being used after they are badly worn such as using ratchet with worn yoke.
7. Ratchets, anvils damaged by excessive hand torquing.
8. Use in production-type applications.

Products to be considered for warranty must be sent back to our factory, transportation prepaid by the user. Please send tool back to attention of "Repair Department" with note fully explaining the nature of the problem along with a copy of original invoice indicating model and serial number.

Return product to:
Dynabrade, Inc.
Attn: Repair Department
8989 Sheridan Dr.
Clarence, NY 14031

Visit Our Web Site: www.dynabrade.com

Autobrade Red[®]
Air Tools For The Body Shop

Email: Autoaft@dynabrade.com

